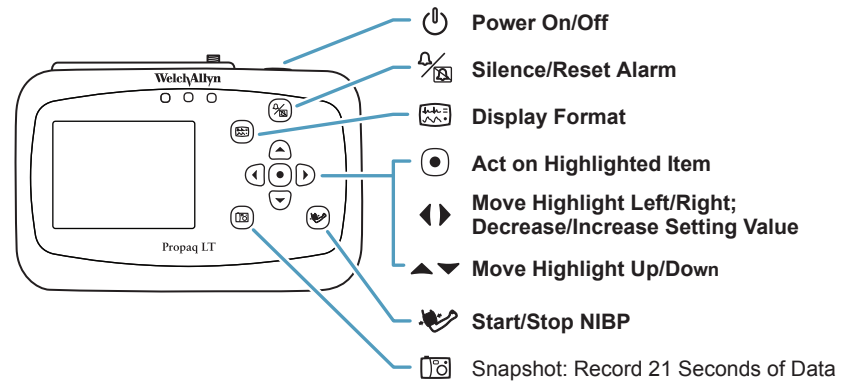


- Change Patient Mode** Adult ● (select) ●  
(Adult, Pediatric, Neonate)
- Change (Vital Sign) Settings** (select) ● (parameter) ●  
(HR/PR, NIBP, SpO<sub>2</sub>, Resp)
- Change Lead** II ● (select)  
(I, II, III, ...)
- Set NIBP mode** NIBP mmHg ● NIBP Mode (select) ●  
(Auto, Manual, Turbo)
- View Trends** (NIBP) ● Trends ●
- View Snapshots** (HR/min) ● Snapshots ●
- Change time/date** xx:xx:xx ● (select) (change) ●  
(Hour, Minute, Month, ...)
- Silence/Reset Alarm Tone** ●
- Change Alarm Tone** (SpO<sub>2</sub>) ● Setup ● Alarms - Alarm Tone ● (select) ●  
(Low, Medium, High)
- Suspend Alarm Tone** (HR/min) ● Setup ● Alarms - Suspend Audible Alarms ●  
(select) ●
- Change Alarm Limits** (select) ● (select parameter) (change limits) ●  
(HR/PR, NIBP, SpO<sub>2</sub>, Resp)
- Change Monitor Setup** (NIBP) ● Setup ● (select) ● (set values)  
(Alarms, ECG, NIBP, ...)



## Propaq® LT Vital Signs Monitor

- Neonate  Birth through 28 days, or 44 weeks gestational
- Pediatric  29 days through 12 years
- Adult  13 years and older



800 289 2500 · 503 530 7500  
 Beaverton, Oregon USA  
 ©2005 · Printed in USA · P/N: 810-1819-00 Rev. 0.4 8/05

